

# TRIANGO 100-1 F

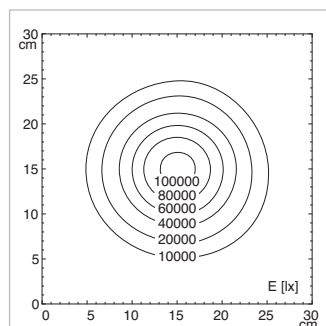
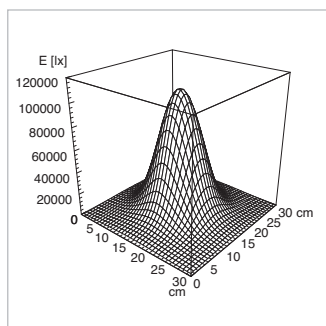
## TECHNICAL DATA

FITTED WITH	1 x LED module
LUMINOUS POWER	100 000 lux / 1.0 m *
COLOR RENDERING INDEX	Ra > 95
OPERATION EQUIPMENT	Electronic converter
VOLTAGE	100-240 V; 50/60 Hz
CORD LENGTH	3 m
LUMINAIRE BODY	PA
WEIGHT (NET)	20.0 Kg
POWER CONSUMPTION	40 W
USAGE	Touch panel on cardanic system
TECHNOLOGY	Single-pole secondary
BALANCE OF ARTICULATION JOINTS	Spring (weight compensation)
CLASS OF PROTECTION	I
PROTECTION RATING	IP 43 (luminaire head)
STANDARDS MET	EN 60601-1, EN 60601-2-41
SPECIAL FEATURES	Diamond optics, sterilizable handle, maintenance-free, high quality arm system, dimmable
MOUNTING	Wall mount
ACCESSORIES	Sterilizable handle

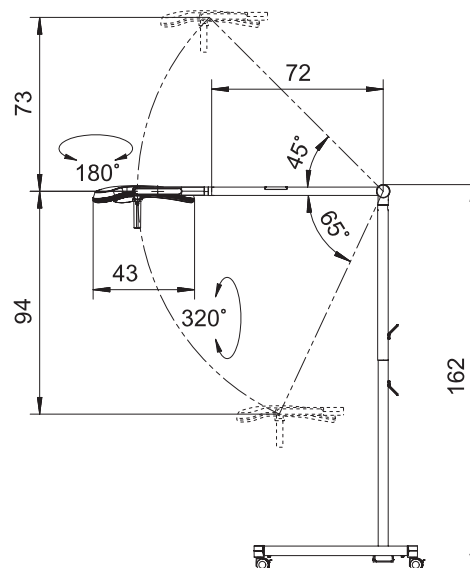
## TREATMENT LIGHT



## TECHNICAL DRAWING



valid for Triango 100 with fixed illumination area



measurements in centimeters

\* -10% / +20% tolerance